

NO: RL-162
DATE: February 2018

PRODUCT: G2RV-SL Slim Relay
TYPE: Discontinuation Notice

G2RV-SL Slim I/O Relay will be discontinued February 2019



Discontinuation Date: February 2019

Note: Date is subject to change based on raw materials and components availability at the factory.

Overview Summary

Product Discontinuation Slim I/O Relay MODEL G2RV-SL5 MODEL G2RV-SL7		Recommended Replacement Slim I/O Relay MODEL G2RV-SR5 MODEL G2RV-SR7
--	--	--

Cautions on Applying Replacements

- Body color and wire connection are different

See the detail of differences on the following pages



Affected Parts

Product discontinuation	Recommended replacement
G2RV-SL500 DC12	G2RV-SR500 DC12
G2RV-SL500 DC24	G2RV-SR500 DC24
G2RV-SL500 AC/DC24	G2RV-SR500 AC/DC24
G2RV-SL500 AC/DC48	G2RV-SR500 AC/DC48
G2RV-SL500 AC110	G2RV-SR500 AC110
G2RV-SL500 AC230	G2RV-SR500 AC230
G2RV-SL500-AP DC12	G2RV-SR500-AP DC12
G2RV-SL500-AP DC24	G2RV-SR500-AP DC24
G2RV-SL500-AP AC/DC24	G2RV-SR500-AP AC/DC24
G2RV-SL500-AP AC/DC48	G2RV-SR500-AP AC/DC48
G2RV-SL500-AP AC110	G2RV-SR500-AP AC110
G2RV-SL500-AP AC230	G2RV-SR500-AP AC230
G2RV-SL501 DC24	G2RV-SR501 DC24

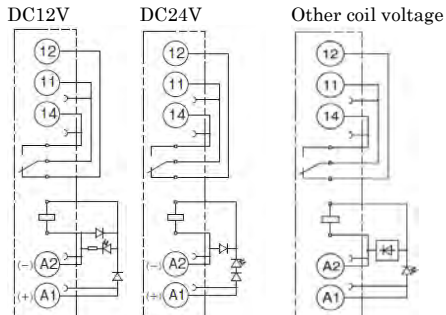
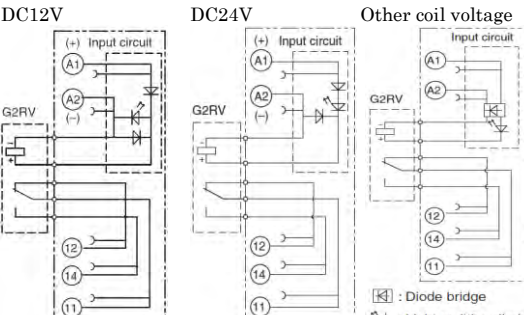
Product discontinuation	Recommended replacement
G2RV-SL501 AC/DC24	G2RV-SR501 AC/DC24
G2RV-SL700 DC12	G2RV-SR700 DC12
G2RV-SL700 DC24	G2RV-SR700 DC24
G2RV-SL700 AC/DC24	G2RV-SR700 AC/DC24
G2RV-SL700 AC/DC48	G2RV-SR700 AC/DC48
G2RV-SL700 AC110	G2RV-SR700 AC110
G2RV-SL700 AC230	G2RV-SR700 AC230
G2RV-SL700-AP DC12	G2RV-SR700-AP DC12
G2RV-SL700-AP DC24	G2RV-SR700-AP DC24
G2RV-SL700-AP AC/DC24	G2RV-SR700-AP AC/DC24
G2RV-SL700-AP AC/DC48	G2RV-SR700-AP AC/DC48
G2RV-SL700-AP AC110	G2RV-SR700-AP AC110
G2RV-SL700-AP AC230	G2RV-SR700-AP AC230
G2RV-SL701 DC24	G2RV-SR701 DC24
G2RV-SL701 AC/DC24	G2RV-SR701 AC/DC24

Detail of differences

Body color

Product discontinuation Model G2RV-SL series	Recommendable replacement Model G2RV-SR series
<p>Color of case : Light gray</p> 	<p>Color of case : Dark gray</p> 

Wire connection

Product discontinuation Model G2RV-SL series	Recommendable replacement Model G2RV-SR series
<p>Terminal arrangement / Internal connections (TOP VIEW)</p> <p>G2RV-SL500(-AP)、G2RV-SL501 G2RV-SL700(-AP)、G2RV-SL701</p> 	<p>Terminal arrangement / Internal connections (TOP VIEW)</p> <p>G2RV-SR500(-AP)、G2RV-SR501 G2RV-SR700(-AP)、G2RV-SR701</p>  <p>Ⓜ : Diode bridge Ⓛ : Light emitting diode</p>

Dimensions / Mounting dimensions

<p align="center">Product discontinuation Model G2RV-SL</p>	<p align="center">Recommendable replacement Model G2RV-SR</p>
<p align="center">G2RV-SL500, G2RV-SL500-AP</p>	<p align="center">G2RV-SR500, G2RV-SR500-AP</p>
<p align="center">G2RV-SL501</p>	<p align="center">G2RV-SR501</p>
<p align="center">G2RV-SL700, G2RV-SL700-AP</p>	<p align="center">G2RV-SR700, G2RV-SR700-AP</p>
<p align="center">G2RV-SL701</p>	<p align="center">G2RV-SR701</p>

Characteristics / Operating ratings

Item	Product discontinuation Model G2RV-SL	Recommendable replacement Model G2RV-SR
------	--	--

■ Ratings ● Coil ratings G2RV-SL

Rated input voltage	Rated current			Must operate voltage	Must release voltage	Power consumption		Maximum allowable voltage
	AC		DC			Percentage of the rated voltage	AC (VA)	
	50Hz	60Hz						Percentage of the rated voltage
DC12V	—	—	29.3mA	80% max.*	10% min.	—	Approx.350 mW	110%
DC24V	—	—	13.5mA			—	Approx.300 mW	
AC/DC24V	21.1mA	22.5mA	12.7mA			Approx.0.5 VA	Approx.300 mW	
AC/DC48V	9.7mA	9.9mA	5.4mA			Approx.0.5 VA	Approx.250 mW	
AC110V	6.9mA	7.9mA	—			Approx.0.8 VA	—	
AC230V	6.9mA	8.1mA	—			Approx.1.7 VA	—	

G2RV-SR

Rated input voltage	Rated current			Must operate voltage	Must release voltage	Power consumption		Maximum allowable voltage
	AC		DC			Percentage of the rated voltage	AC (VA)	
	50Hz	60Hz						Percentage of the rated voltage
DC12V	—	—	27.9mA	80% max.*	10% min.	—	Approx.300 mW	110%
DC24V	—	—	13.5mA			—	Approx.300 mW	
AC/DC24V	12.5mA	12.6mA	12.6mA			Approx.0.5 VA	Approx.300 mW	
AC/DC48V	5.9mA	6.1mA	5.2mA			Approx.0.4 VA	Approx.250 mW	
AC110V	5.9mA	5.9mA	—			Approx.0.8 VA	—	
AC230V	7.3mA	8.4mA	—			Approx.1.7 VA	—	

Note : The operating characteristics are measured at ambient temperature of 23°C.

* Operating voltage will be, for mounting in the upside down direction, 85% max.

● Contact ratings

Contact configuration	SPDT	SPDT
Contact material	Ag alloy	Ag alloy
Rated load : Resistive load ($\cos\phi=1$)	6A at 250VAC 6A at 30VDC	6A at 250VAC 6A at 30VDC
Rated load : Inductive load ($\cos\phi=0.4, L/R=7ms$)	2.5A at 250VAC 2A at 30VDC	2.5A at 250VAC 2A at 30VDC
Rated carry current	6A	6A
Maximum switching voltage	AC400V、DC125V	AC400V、DC125V
Maximum switching current	6A	6A
Maximum switching power	1,500VA 180W	1,500VA 180W
Failure rate P value (reference value)	DC5V 10mA	DC5V 10mA

● Characteristics

Item		Product discontinuation Model G2RV-SL	Recommendable replacement Model G2RV-SR
Contact resistance		100mΩ max.	100mΩ max.
Operate(set) time		20ms max.	20ms max.
Release time		AC,AC/DC : 40ms min. DC : 20ms min.	AC,AC/DC : 40ms min. DC : 20ms min.
Maximum operating frequency		Mechanical : 18,000 operations/h Electrical : 1,800 operations/h	Mechanical : 18,000 operations/h Electrical : 1,800 operations/h
Insulation resistance		1000MΩ min. (at 500VDC)	1000MΩ min. (at 500VDC)
Dielectric strength		Between coil and contacts : 4,000V 50/60Hz 1min Contact between the same polarity : AC1,000V 50/60Hz 1min	Between coil and contacts : 4,000V 50/60Hz 1min Contact between the same polarity : AC1,000V 50/60Hz 1min
Vibration resistance	Destruction	10 to 55 to 10Hz, single amplitude 0.50mm (double amplitude 1.0mm)	10 to 55 to 10Hz, single amplitude 0.50mm (double amplitude 1.0mm)
	Malfunction	10 to 55 to 10Hz, single amplitude 0.50mm (double amplitude 1.0mm)	10 to 55 to 10Hz, single amplitude 0.50mm (double amplitude 1.0mm)
Shock resistance	Destruction	1,000m/s ²	1,000m/s ²
	Malfunction	Energized : 200m/s ² , Non-energized : 100m/s ²	Energized : 200m/s ² , Non-energized : 100m/s ²
Endurance	Mechanical	5,000,000 operations min.	5,000,000 operations min.
	Electrical	NO contact : 70,000 operations min. NC contact : 50,000 operations min.	NO contact : 70,000 operations min. NC contact : 50,000 operations min.
Ambient operating temperature		-40 to +55°C	-40 to +55°C
Ambient operating humidity		5 to 85%RH	5 to 85%RH
Weight		Approx. 35g	Approx. 30g
●Standard approvals			
UL		File No.E41643	File No.41643
IEC		VDE(EN61810)	TUV(EN61810-1)
Lloy'd		File No.07/10027(E3)	File No.17/10020

Operation ratings

Product discontinuation Model G2RV-SL	Recommendable replacement Model G2RV-SR
Refer to characteristics	Refer to characteristics

Operation methods

Product discontinuation Model G2RV-SL			Recommendable replacement Model G2RV-SR			
Applicable wire G2RV-SL500 (-AP) 、 G2RV-SL501			Applicable wire G2RV-SR500 (-AP) 、 G2RV-SR501			
Wire type	Applicable wire size	Stripping length	Applicable wire		Ferrules	Stripping length
			(mm ²)	(AWG)	Conduct length (mm)	(mm) (Ferrules used)
Stranded without ferrule	0.5 – 2.5mm ²	12mm	0.25	24	8	10
Stranded with ferrules and plastic collar	0.5 – 2.5mm ²	12mm			10	12
Stranded with ferrules without plastic collar	0.5 – 2.5mm ²	12mm	0.34	22	8	10
Solid	0.5 – 2.5mm ²	12mm			10	12
			0.5	20	8	10
					10	12
			0.75	18	8	10
					10	12
			1/1.25	18/17	8	10
					10	12
			1.25/1.5	17/16	8	10
					10	12
G2RV-SL700 (-AP) 、 G2RV-SL701			G2RV-SR700 (-AP) 、 G2RV-SR701			
Wire type	Applicable wire size	Stripping length	Wire type		Applicable wire size	Stripping length
Stranded without ferrule	0.5 – 2.5mm ²	7mm	Stranded without ferrule	0.5 – 1.5mm ²	8mm	
Stranded with ferrules and plastic collar	0.5 – 2.5mm ²	7mm	Stranded with ferrules and plastic collar	0.5 – 1.5mm ²	8mm	
Stranded with ferrules without plastic collar	0.5 – 2.5mm ²	7mm	Stranded with ferrules without plastic collar	0.5 – 1.5mm ²	8mm	
Solid	0.5 – 2.5mm ²	7mm	Solid	0.5 – 1.5mm ²	8mm	

Specifications and prices in this product news are as of the issue date and are subject to change without notice. Only main changes in specifications are described in this document. Please be sure to read the relevant catalogs, datasheets, product specifications, instructions, and manuals for precautions and necessary information when using products.